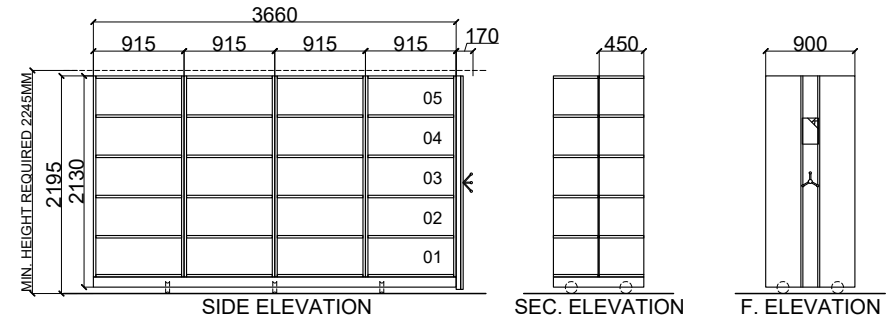
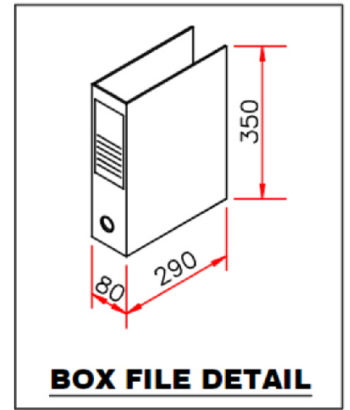
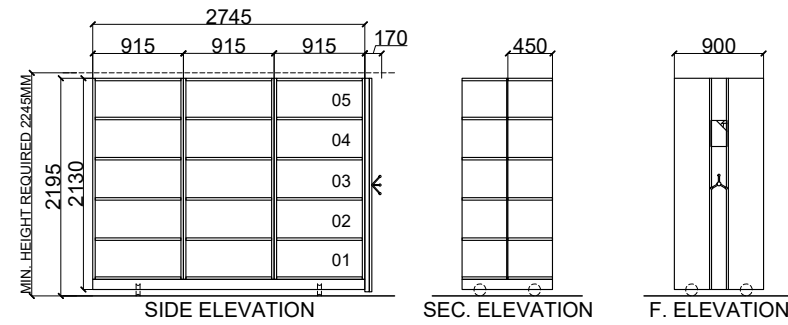
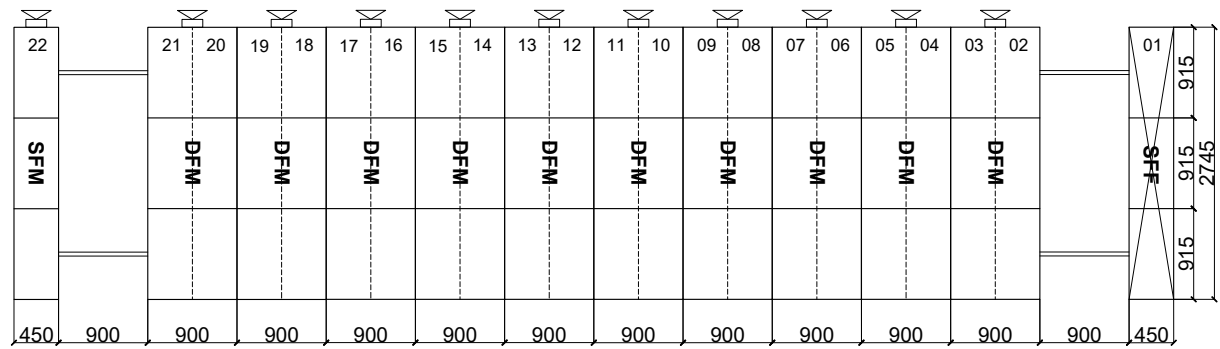
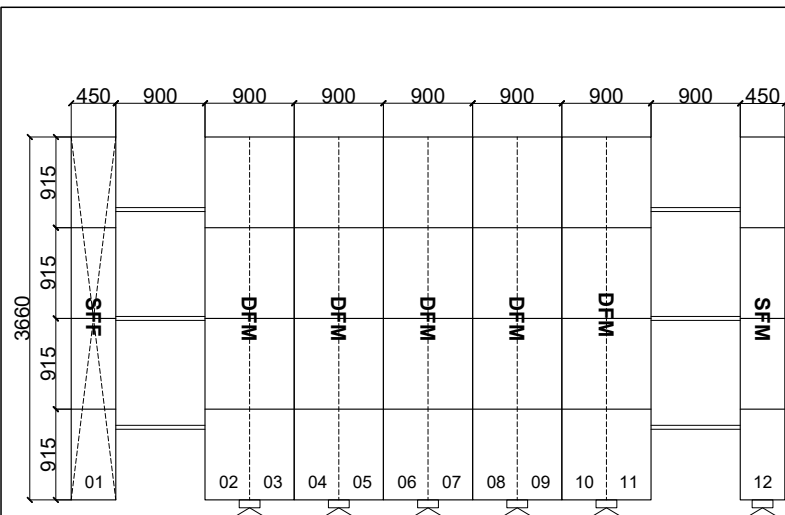


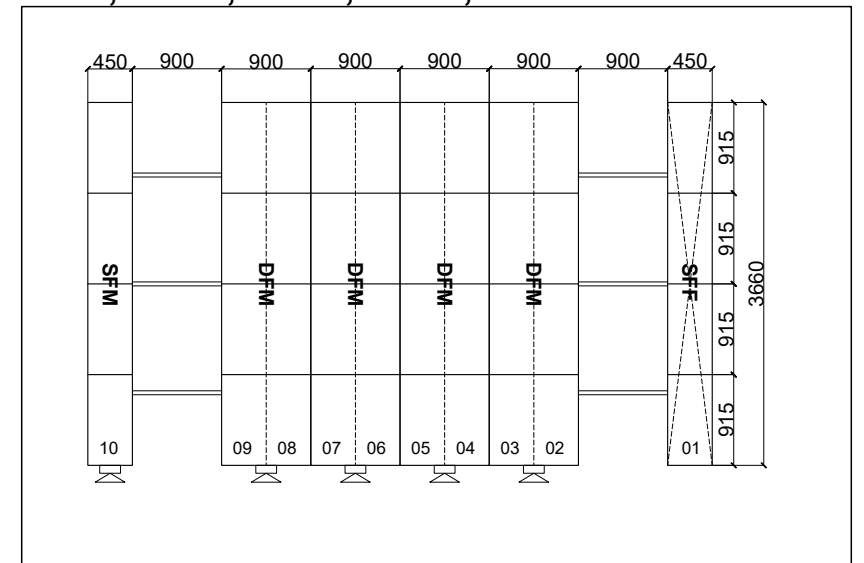
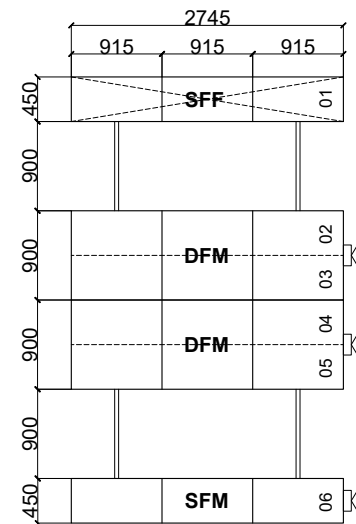
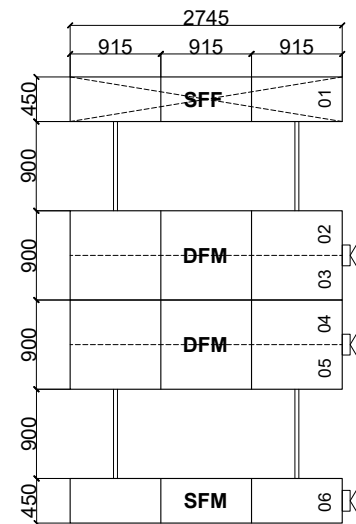
2ND FLOOR



5TH, 7TH, 8TH, 9TH, 11TH FLOOR



4TH FLOOR



SBI - GIFT CITY

COMPACTOR REFERENCE DRAWING

JOB NO.	4024
DRG NO.	
DATE	29.03.2024
DWN BY	RAMESH S.

NAME AND ADDRESS OF ARCHITECT

प्रेम **PREM NATH & ASSOCIATES**
 MUMBAI 400 001
 TEL 22020029,22020786
 WEBSITE: www.premnath.com,
 E-mail : prempna@premnath.com